

CROWN

Specifications

GPC 3000 Series

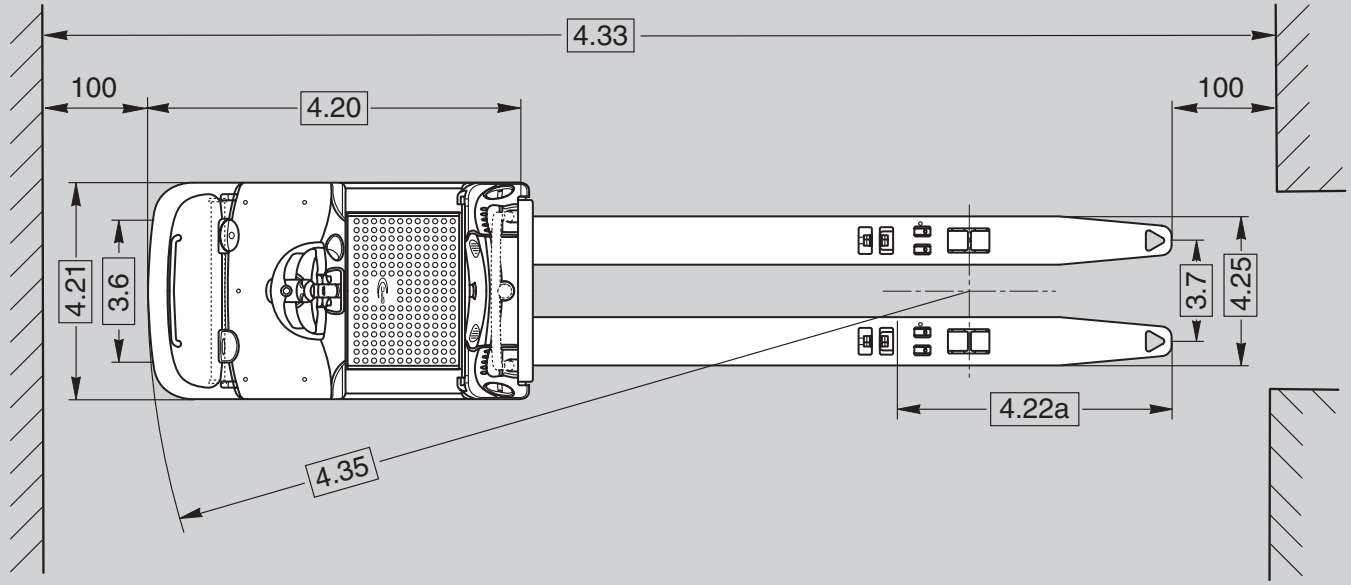
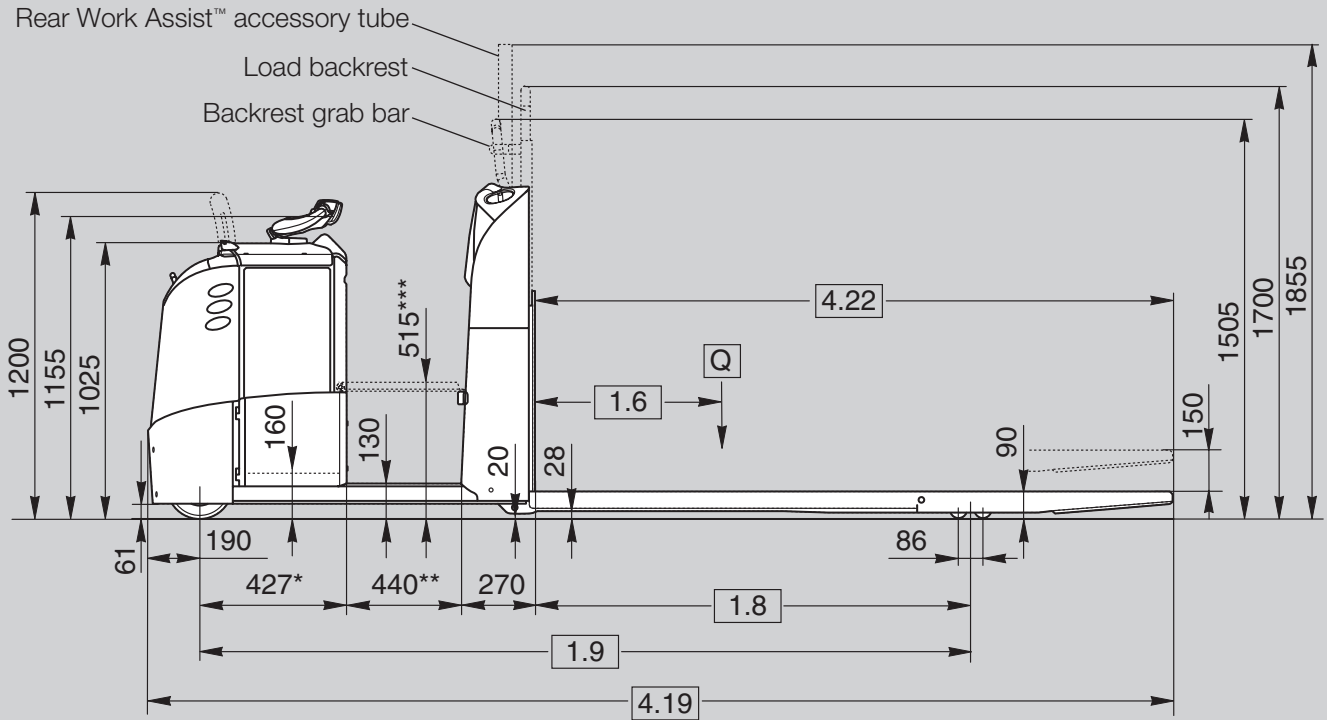
Low Level Order Picker

GPC 3000

Series

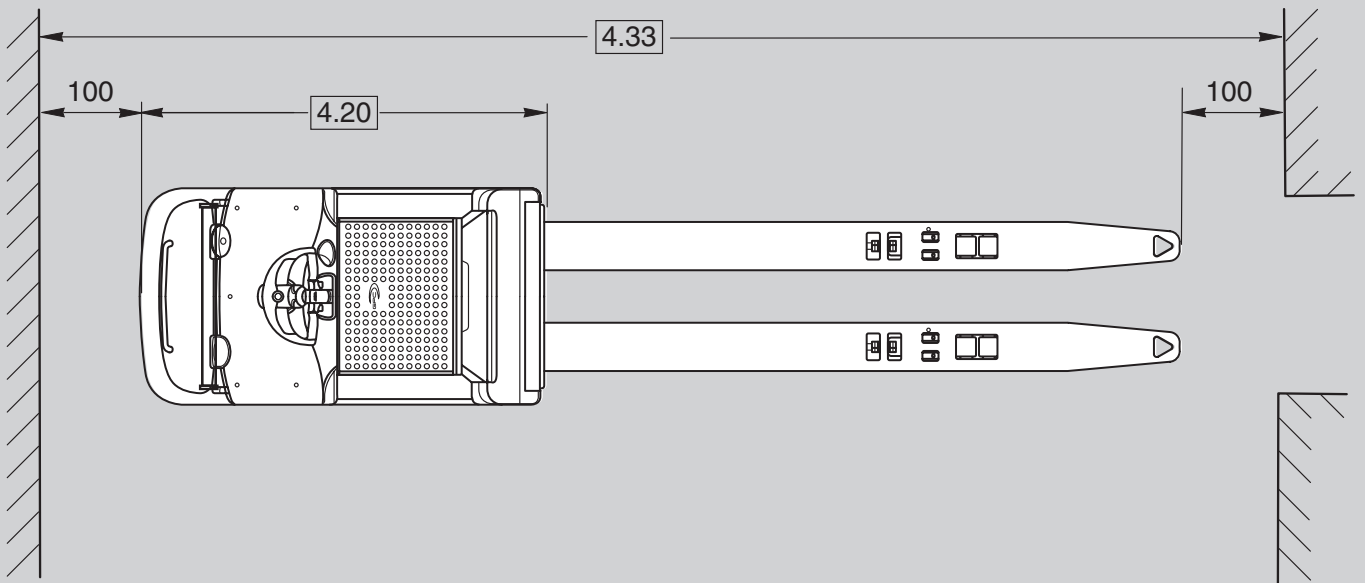
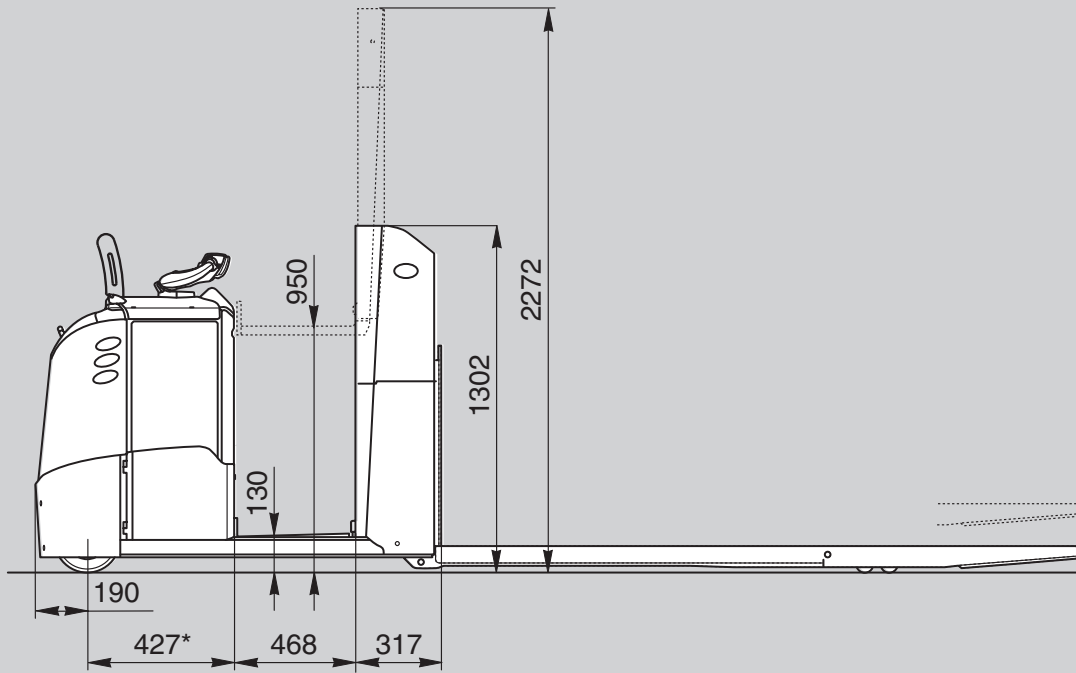


GPC 3020, 3040 and 3060



* Large battery compartment = 547 mm (optional on GPC 3040, standard on GPC 3060)
 ** Extended operator compartment = 515 mm (GPC 3040/3060)
 *** On extended operator compartment the operator step height = 442 mm (GPC 3040/3060)

GPC 3040 and 3060 with optional platform lift



* Large battery compartment = 547 mm (optional on GPC 3040, standard on GPC 3060)

Table 1 GPC 3020 Standard: 465 Ah / 440 mm operator compartment

1.6	Load Centre	c	mm	500	550	600	750	800	1100	1200	1200	1250	1250	1440
1.8	Load Distance, raised ¹	x	mm	655	755	805	1105	885	1275	1685	1525	1700	1750	2005
1.9	Wheel Base, raised ¹	y	mm	1790	1890	1940	2240	2020	2410	2820	2660	2840	2890	3410
2.1	Weight	less battery	kg	837	848	854	888	905	967	995	995	1001	1006	1049
2.2	Axle Load	w. load	front	1078	1138	1143	1296	1052	1185	1434	1321	1431	1450	1505
		w. load	rear	2139	2090	2091	1972	2233	2162	1941	2054	1949	1936	1924
2.3	Axle Load	w.o. load	front	795	820	832	897	865	956	1025	1005	1030	1039	1088
		w.o. load	rear	422	409	402	371	420	390	350	370	351	348	341
4.19	Overall Length	l1	mm	2325	2425	2475	2775	2925	3475	3725	3725	3775	3825	4205
4.20	Head Length	l2	mm	1327										
4.22	Fork Length	l	mm	1000	1100	1150	1450	1600	2150	2400	2400	2450	2500	2880
4.22a	Fork Tip Length		mm	413	413	413	413	783	944	783	944	815	815	944
4.25	Width Across Forks	b5	mm	520 / 540 / 560 / 680										
4.35	Turning radius, raised ¹	Wa	mm	1980	2080	2130	2430	2210	2600	3010	2850	3030	3080	3330

Table 2 GPC 3040 Standard: 465 Ah / 440 mm operator compartment

1.6	Load Centre	c	mm	500	550	600	750	800	1100	1200	1200	1250	1250	1440
1.8	Load Distance, raised ¹	x	mm	655	755	805	1105	885	1275	1685	1525	1700	1750	2005
1.9	Wheel Base, raised ^{1 2 4 6}	y	mm	1790	1890	1940	2240	2020	2410	2820	2660	2840	2890	3410
2.1	Weight ^{3 5 7}	less battery	kg	837	848	854	888	905	967	995	995	1001	1006	1049
2.2	Axle Load	w. load	front	1078	1138	1143	1296	1052	1185	1434	1321	1431	1450	1505
		w. load	rear	2139	2090	2091	1972	2233	2162	1941	2054	1949	1936	1924
2.3	Axle Load	w.o. load	front	795	820	832	897	865	956	1025	1005	1030	1039	1088
		w.o. load	rear	422	409	402	371	420	390	350	370	351	348	341
4.19	Overall Length ^{2 4 6}	l1	mm	2325	2425	2475	2775	2925	3475	3725	3725	3775	3825	4205
4.20	Head Length ^{2 4 6}	l2	mm	1327										
4.22	Fork Length	l	mm	1000	1100	1150	1450	1600	2150	2400	2400	2450	2500	2880
4.22a	Fork Tip Length		mm	413	413	413	413	783	944	783	944	815	815	944
4.25	Width Across Forks	b5	mm	520 / 540 / 560 / 680										
4.35	Turning radius, raised ^{1 2 4 6}	Wa	mm	1980	2080	2130	2430	2210	2600	3010	2850	3030	3080	3330

Table 3 GPC 3060 Standard: 620 Ah / 440 mm operator compartment

1.6	Load Centre	c	mm	800	1100	1200	1200							
1.8	Load Distance, raised ¹	x	mm	885	1275	1685	1525							
1.9	Wheel Base, raised ^{1 4 6}	y	mm	2140	2530	2940	2780							
2.1	Weight ^{5 7}	less battery	kg	912	974	1002	1002							
2.2	Axle Load	w. load	front	1220	1369	1673	1532							
		w. load	rear	2897	2810	2534	2675							
2.3	Axle Load	w.o. load	front	981	1074	1143	1123							
		w.o. load	rear	436	405	364	384							
4.19	Overall Length ^{4 6}	l1	mm	3045	3595	3845	3845							
4.20	Head Length ^{4 6}	l2	mm	1447										
4.22	Fork Length	l	mm	1600	2150	2400	2400							
4.22a	Fork Tip Length		mm	783	944	783	944							
4.25	Width Across Forks	b5	mm	520 / 540 / 560 / 680										
4.35	Turning radius, raised ^{1 4 6}	Wa	mm	2330	2720	3130	2970							

¹ forks lowered + 115 mm
² with optional larger battery compartment (620 Ah) + 120 mm
³ with optional larger battery compartment (620 Ah) + 125 kg
⁴ with optional extended operator compartment (515 mm) + 75 mm
⁵ with optional extended operator compartment (515 mm) + 25 kg
⁶ with optional platform lift + 75 mm
⁷ with optional platform lift + 110 kg

General Information	1.1	Manufacturer			Crown Equipment Corporation			
	1.2	Model			GPC 3020-2.0	GPC 3040-2.0	GPC 3060-2.7	
	1.3	Power			electric			
	1.4	Operator Type			order picker			
	1.5	Load Capacity		Q	t	2.0		2.7
	1.6	Load Centre		c	mm	see table 1	see table 2	see table 3
	1.8	Load Distance	raised	x	mm	see table 1	see table 2	see table 3
	1.9	Wheel Base	raised	y	mm	see table 1	see table 2	see table 3
Weights	2.1	Weight	less battery		kg	see table 1	see table 2	see table 3
	2.2	Axle Load	w. load. front / rear		kg	see table 1	see table 2	see table 3
	2.3	Axle Load	w.o. load. front / rear		kg	see table 1	see table 2	see table 3
Tyres	3.1	Tyre Type				Vulkollan		
	3.2	Wheel Size	front		mm	Ø 250 x 75		
	3.3	Wheel Size	rear		mm	Ø 82 x 82		
	3.4	Additional Wheels	castor wheel		mm	Ø 150 x 60		
	3.5	Wheels	number (x=driven) front/rear			1x + 1 / 4		
	3.6	Track Width	front	b10	mm	492		
	3.7	Track Width	rear	b11	mm	340 / 360 / 380 / 500		
Dimensions	4.4	Lift Height		h3	mm	150		
	4.8	Operator Stand Height		h7	mm	130		
	4.9	Control Handle Height		h14	mm	1155		
	4.15	Fork Height	lowered	h13	mm	90		
	4.19	Overall Length		l1	mm	see table 1	see table 2	see table 3
	4.20	Headlength		l2	mm	see table 1	see table 2	see table 3
	4.21	Overall Width		b1	mm	810		
	4.22	Fork Dimension		thxwxl	mm	78 x 180 x 2400		
	4.22a	Fork Tip Length			mm	see table 1	see table 2	see table 3
	4.25	Width Across Forks		b5	mm	520 / 540 / 560 / 680		
	4.31	Ground Clearance	below mast	m1	mm	20		
	4.32	Ground Clearance	centre wheelbase	m2	mm	28		
	4.33	Working Aisle Width *	2 Euro Pallets length, raised	Ast	mm	3925		4045
	4.35	Turning Radius	raised	Wa	mm	see table 1	see table 2	see table 3
Performance	5.1	Travel Speed	w. / w.o. load		km/h	8.0 / 10.5	9.0 / 12.5	8.5 / 12.5
	5.2	Lift Speed	w. / w.o. load		m/s	0.05 / 0.06		0.06 / 0.08
	5.3	Lowering Speed	w. / w.o. load		m/s	0.06 / 0.06		
	5.7	Gradability	w. / w.o. load 30 min. rating		%	5 / 14		5 / 16
	5.8	Max. Gradability	w. / w.o. load 5 min. rating		%	8 / 15		9 / 15
	5.10	Service Brake				electric		
Motors	6.1	Traction Motor	rating at S2 60 min.		kW	2.5		3.2
	6.2	Lift Motor	rating at S3 15%		kW	1.2	1.2**	2.2
	6.3	Max. Battery Box Size		lxwxh	mm	210x790x784		330x790x784
	6.4	Battery Voltage	nominal capacity K5		V/Ah	24 / 465 Ah		24 / 620 Ah
	6.5	Battery Weight	minimum		kg	380		505
	6.6	Energy Consumption	acc. to VDI cycle		kWh/h	0.65	0.74	0.82
Misc.	8.1	Type Controller	drive			transistor		

* Ast calculation based on standard truck configuration with 2400 mm fork length and 944 mm fork tip length

** With optional platform lift 2.2 kW

Capacity

GPC 3020 - 2000 kg
 GPC 3040 - 2000 kg
 GPC 3060 - 2700 kg

Electric System / Batteries

24-volt electrical system with nominal battery capacities of 465 Ah and 620 Ah.

The battery can be removed vertically or horizontally with optional battery rollers for left/right or both sides removal.

Standard Equipment

1. Maintenance free 3-phase (AC) traction and steering motors
2. e-Gen™ Braking System offers regenerative and frictionless electric braking (Mechanical braking applies only as parking brake)
3. Electronic steering with the centre mounted X10® Handle for precise and effortless control
4. The self centering X10® Control Handle places all truck functions at the operator's fingertips
5. Crown Access 1-2-3™ Comprehensive System Control
6. Intelligent Steering System slows the travel speed in curves
7. Load-dependent speed
8. Crown's Information Display
 - 1 line LCD display with 8 characters
 - Battery discharge indicator
 - Keyless start up with PIN code
 - Start up and run time diagnostics
 - 3 selectable traction performance profiles (3040, 3060)
 - Hour meters including traction motor, hydraulic motor and run time
 - Access 1-2-3 onboard diagnostic with real time troubleshooting capabilities
9. CAN-Bus technology
10. Ramp hold
11. Low step height of 130 mm with a wide walk-through area
12. Suspended floorboard with a non-slip anti-fatigue floor mat with integrated presence sensors
13. Electric power disconnect plug
14. Large storage compartments
 - Large front storage tray
 - Large storage compartments in the backrest

- 2 large storage bins in the backrest (3040, 3060)
15. Vulkollan drive tyre, castor wheel and tandem load wheels
 16. Soft contoured backrest with cushioned soft kneepad (3040, 3060)
 17. Battery connector DIN 160 A
 18. Heavy duty fork assembly
 19. Desktop work surface (3060)
 20. Front Work Assist™ accessory tube (3040, 3060)
 21. Heavy duty power unit
 - 10 mm thick steel skirt
 - Easily removable reinforced steel covers
 - Top battery access
 22. Battery compartment for 420 - 465 Ah batteries (3020, 3040)
 23. Battery compartment for 560 - 620 Ah batteries (3060)

Optional Equipment

1. Fork length and spread options
2. Battery compartment for 560 - 620 Ah batteries (3040)
3. Extended platform with 515 mm walk-through (3040, 3060, not available with platform lift)
4. Fold-down step (3040, 3060, not available with platform lift)
5. Backrest grab bar (standard if fold-down step is ordered, 3040, 3060, not available with load backrest and platform lift)
6. Platform lift with an operator stand height of 950 mm (3040, 3060)
7. Picking guard
8. Pick Position Controls™ in the backrest (3040, 3060)
9. Adjustable fold-down lean seat (3040, 3060, not available with platform lift)
10. Desktop work surface (3040 with large battery compartment)
11. Battery roll out for left / right or both sides
12. SBE 160 red battery connector
13. Power supply 12V for electronic tools
14. Key switch
15. Cold storage conditioning (3040, 3060)
16. Load backrest 1610 mm (3040, 3060) with integrated handle
17. Audible travel alarm
18. Flashing beacon (3040, 3060)
19. 2 large storage bins in the backrest (3020)
20. Special paint
21. Rubber bumper
22. Rear storage compartment (3040, 3060, not available with load backrest or platform lift)
23. Pallet entry rollers

24. Front Work Assist™ accessory tube (3020)
25. Rear Work Assist™ accessory tube (3040, 3060, not available with load backrest or platform lift)
26. Work Assist™ Accessories
 - Load tray
 - Foil roll holders
 - Storage pockets
 - Beverage holder
 - Trash bag holder
 - Scan gun holder
 - Small, medium and large clip boards
 - Mounting brackets for WMS terminals
27. Key pad (3040, 3060)

Electrical

24 volt electrical system managed by Crown's Access 123 Comprehensive System Control. Virtually maintenance-free AC traction motor provides strong acceleration and control at any speed. Sensors monitor functional parameters including load, steering, speed and operator position and adjusts operational settings automatically to suit conditions.

Power Unit

The rugged power unit is designed for tough real-world applications. A 10 mm thick skirt protects drive unit and caster components while reinforced steel covers and doors cover all electronics. The uncluttered layout of components provides quick and easy access for servicing.

Operator Area and Controls

Soft and fully suspended floorboard reduces operator fatigue. Wide walk-through compartment with rounded surfaces provides a convenient shortcut even while carrying boxes. Contoured lean pad helps the operator stay centred in the truck while providing a soft contact surface to lean against. Multiple storage pockets provide locations for tools and personal effects. All truck functions are controlled by the award-winning X10 control handle that allows simultaneous operation of all functions with one hand. Electronic steering is standard on all models, providing precise, predictable control. A large information display provides battery discharge level, operational status and service messages to the operator.

Access 1 2 3™ Comprehensive System Control

Crown's Access 123 technology provides optimum performance and control by offering a communications interface for the operator and service engineer, intelligent coordination of lift truck systems and simplified service with advanced diagnostics.

The display includes a full featured on-board service tool so service engineers can actively view inputs and outputs during truck operation. No laptop or service terminal is required.

Performance tuning can be accessed at the display to customise truck performance for specific applications or operator requirements.

e-GEN™ Braking System

The power of the high-torque AC traction motor is used to stop the truck and keep it static until a travel input is requested, even when operating on a gradient. This system eliminates adjustments and wear points for a lifetime of maintenance free use. An automatic parking brake activates if the truck is stopped and the operator leaves the platform or power is disconnected.

Work Assist™ Accessories

A comprehensive range of Work Assist accessories are available to support every kind of picking and administrative task. These rugged tools can be easily combined and positioned in the location best suited to the application and the user. Customer accessories can also be added using the universal clamp and adapter plate.

Safety Regulations

Conforms to European safety standards. Dimensions and performance data given may vary due to manufacturing tolerances. Performance is based on an average size vehicle and is affected by weight, condition of truck, how it is equipped and the conditions of the operating area. Crown products and specifications are subject to change without notice.

European Manufacturing:
 Crown Gabelstapler GmbH & Co. KG
 Roding, Germany
 www.crown.com

